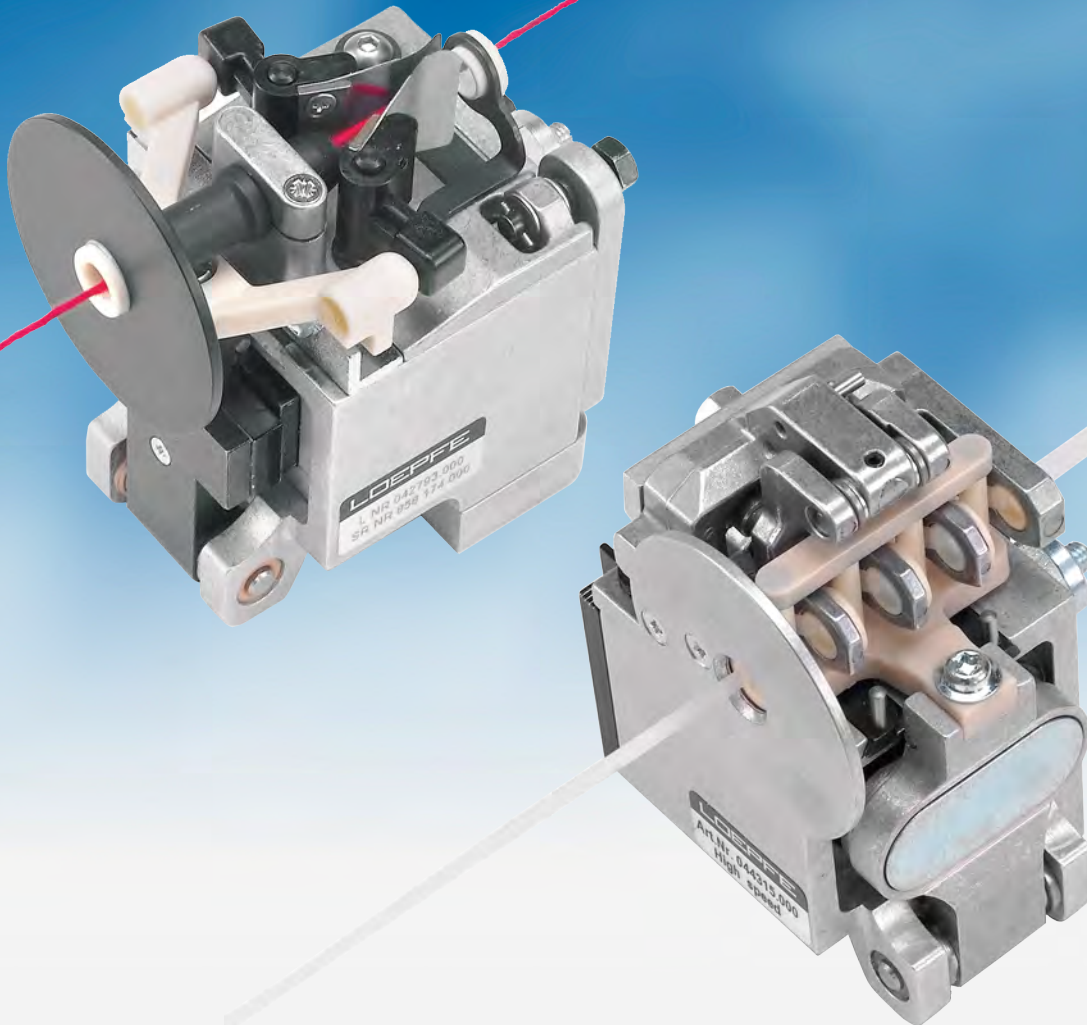




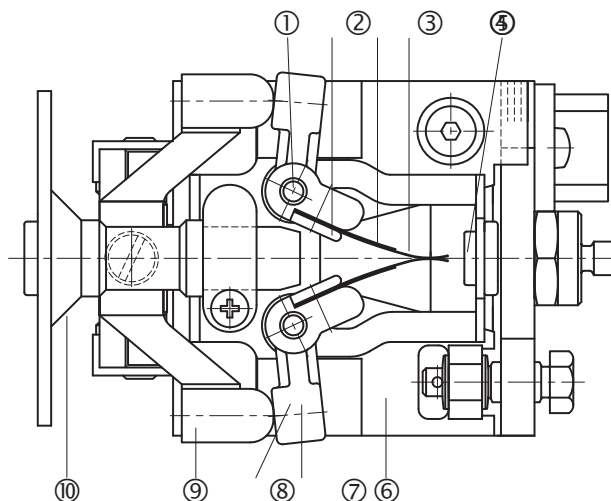
Loepfe



# WEFTMASTER SFB-L

## Weft Thread Brake - Spare Parts

# LIST OF SPARE PARTS FOR THE SFB-L SPRING BRAKE ASSEMBLY

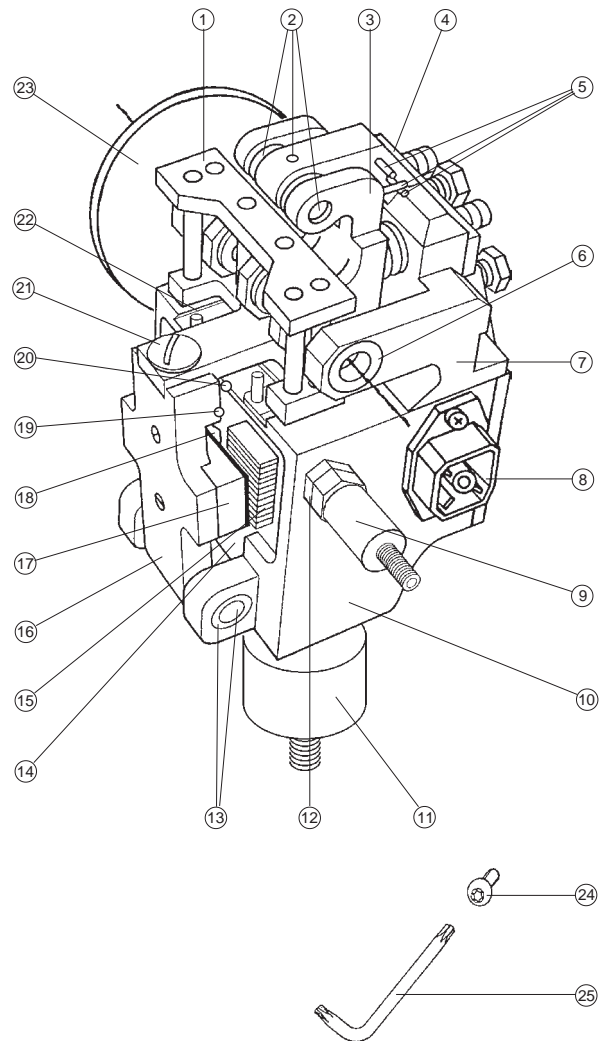


040635.000 Brake assembly with chrome spring long  
 043795.000 Brake assembly with chrome spring short  
 042793.000 Brake assembly with ceramic spring

1	Axle spring brake .....	040980.020
2	Clamping plate .....	040887.010
3	Additional spring for chrome spring long .....	041239.000
3	Additional spring for chrome spring short and ceramic spring .....	042899.010
4	Flat chrome spring long for aggregate 040635.000 .....	040707.010
4	Flat chrome spring short for aggregate 043795.000 .....	042808.020
4	Flat ceramic spring for aggregate 042793.000 .....	042917.000
5	Yarn guide long for aggregate 040635.000 .....	043921.000
5	Yarn guide short for aggregate 043795.000 + 042793.000 .....	043512.000
6	Slide with spring brake .....	040904.010
7	Spring retainer without spring for aggregate 040635.000 .....	041222.000
7	Spring retainer without spring for aggregate 043795.000 + 042793.000 .....	043851.000
8	Spring retainer with chrome spring chrom long for aggregate 040635.000 .....	040903.000
8	Spring retainer with chrome spring chrom short for aggregate 043795.000 .....	043796.000
8	Spring retainer with ceramic spring for aggregate 042793.000 .....	042807.010
9	Magnet inductor fork .....	040902.000
10	Thread tube .....	040895.000

# FOR THE SFB-L DEVIATION BRAKE ASSEMBLY

Deviating Brake 4-fold .....	037595.030
Deviating Brake 5-fold .....	041378.000
Deviating Brake 2-fold .....	039820.010
Double brake 4-fold .....	040237.000
Double brake 2-fold .....	040849.000
4 to 5-fold Raket Kit .....	039954.000
1a Deviation ratchet 4-fold .....	038282.000
1b Deviation ratchet 2-fold .....	039818.000
1c Deviation ratchet 5-fold .....	039968.000
2 Axle/bearing 3 mm replacement set .....	039446.000
3 Swivel part .....	039793.000
4 Magnetic insert .....	039792.000
5 Cylinder pin Ø 2,5h6x12 .....	039828.000
6 Thread guide .....	042447.000
7 Diversion slide, complete .....	039124.020
8 Plug on brake assembly .....	015276.900
8a Plug on cable .....	015277.900
9 Rubber shock absorber SFW-L .....	007510.010
10 Brake housing with coil .....	039167.010
11 Rubber shock absorber SFB-L .....	039416.000
12 Spacing bolt .....	038291.000
13 Axle/bearing 5 mm replacement set .....	039445.000
14 Coil cover plate .....	039125.000
15 Coil, complete, with pre-mounted core .....	038301.000
16 Magnet inductor, complete, with P-magnet .....	039168.000
17 Magnet for magnet inductor .....	038299.010
18 Magnet support, including screws .....	039697.000
19 Cylinder pin Ø 3m6x17 .....	039827.000
20 Support .....	039130.000
21 Cup screw M4x10 .....	015096.900
22 Stop .....	038290.030
23 Balloon-breaker with screw .....	039239.010
24 Torsion screw M4x8 for coil, (15) .....	015448.900
25 Key for torsion screw .....	015472.900





# Loepfe

---

Loepfe is part of the Vandewiele Group and the world's leading manufacturer of electronic control systems for the textile industry. Machine manufacturers as well as spinning and weaving mills around the world rely on our innovation at the highest level, quality made in Switzerland. Built to be on top.

## **SPINNING SOLUTIONS**

**BUILT TO SEE MORE**

## **WEAVING SOLUTIONS**

**BUILT TO CONTROL**

Connect with the Loepfe world



Loepfe Brothers Ltd.  
8623 Wetzikon  
Switzerland  
[www.loepfe.com](http://www.loepfe.com)

Subject to technical modifications

YarnMaster and WeftMaster are registered trademarks of Loepfe Brothers Ltd.